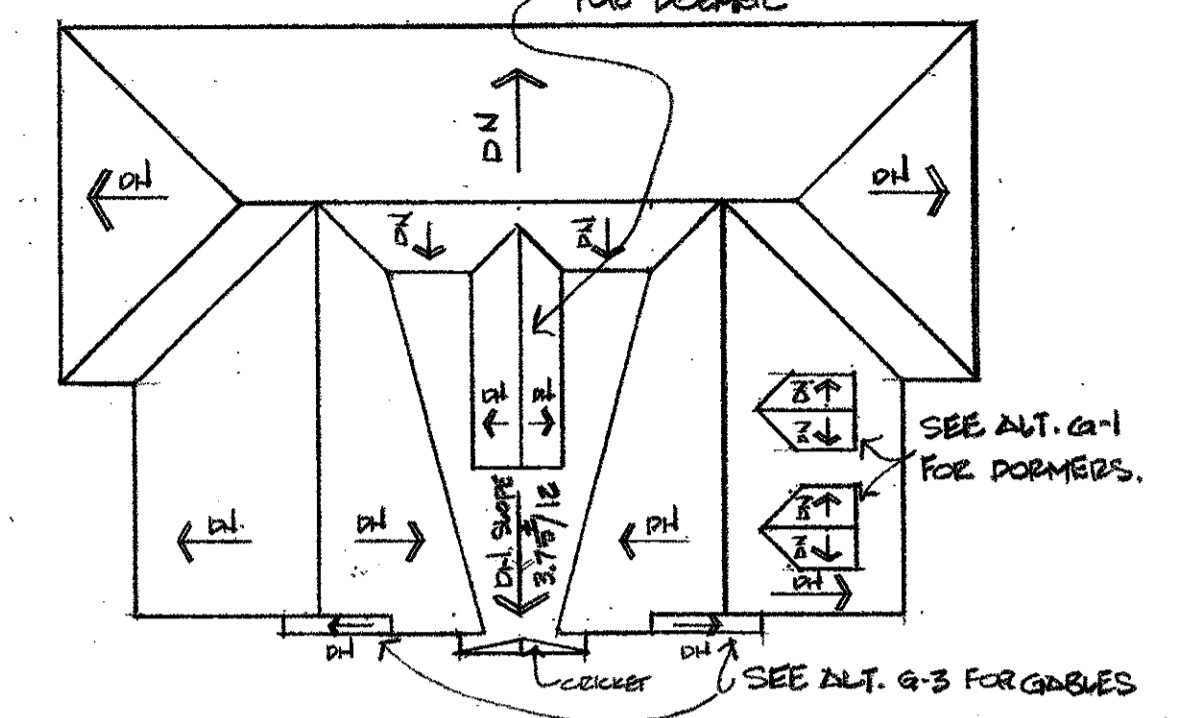
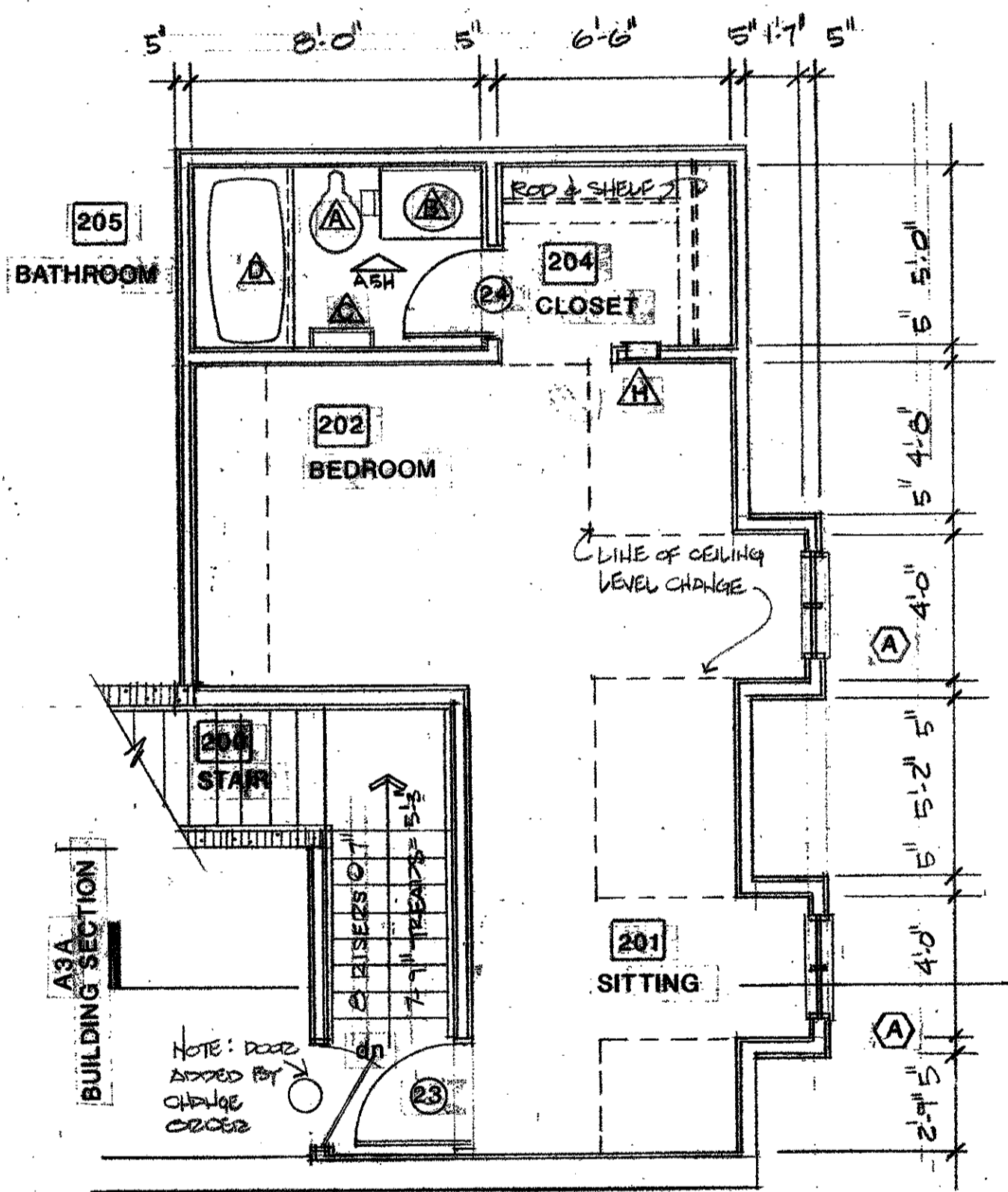


A. MAIN LEVEL FLOOR PLAN
1/4" = 1'-0"

NOTE - CENTER DORMER ALTERNATE G-4 NOT BUILT
SEE ALT. G-4 FOR DORMER

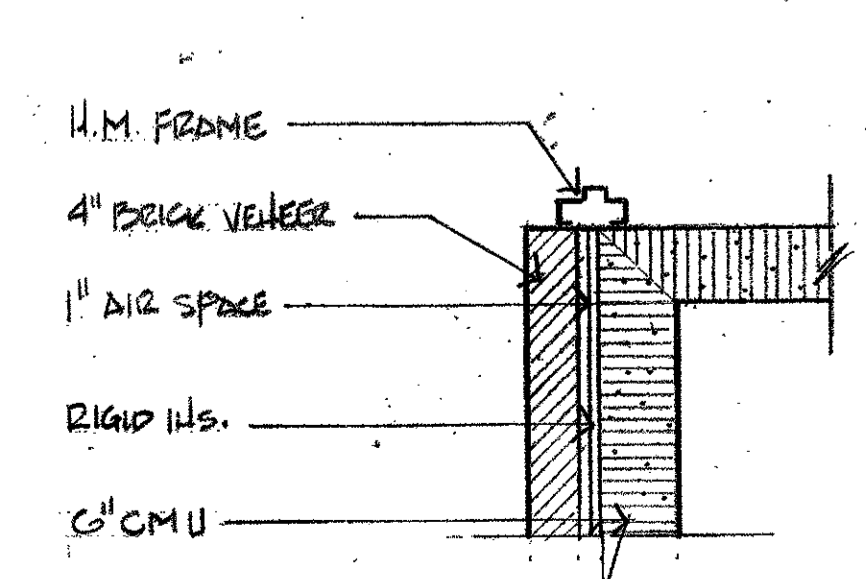
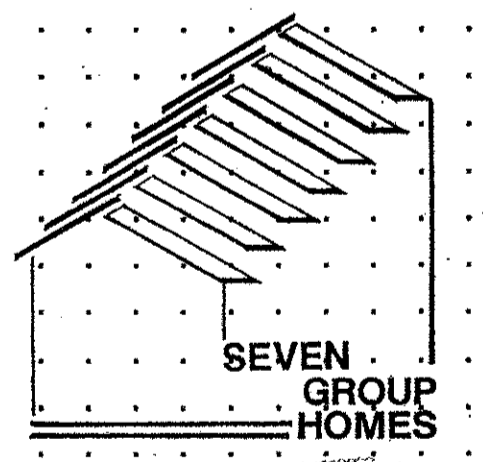


C. ROOF PLAN
1/16" = 1'-0"

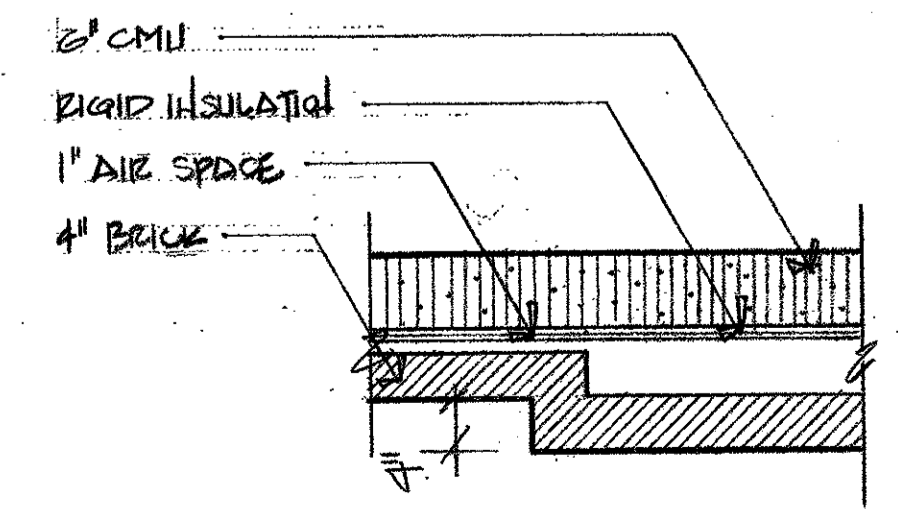


B. UPPER LEVEL FLOOR PLAN
1/4" = 1'-0" SEE ALTERNATE G-1

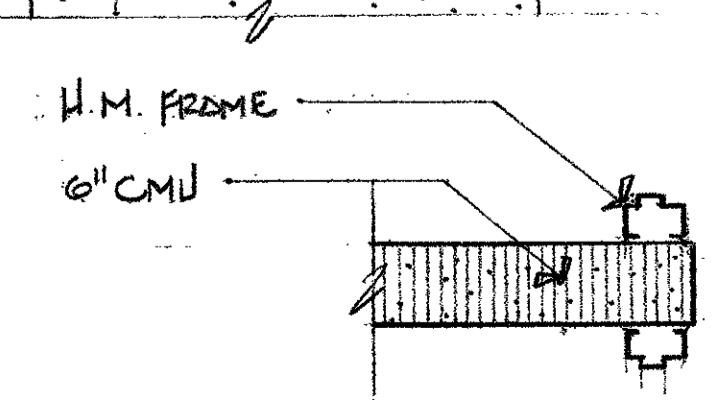
Record Drawings
1 October, 1993



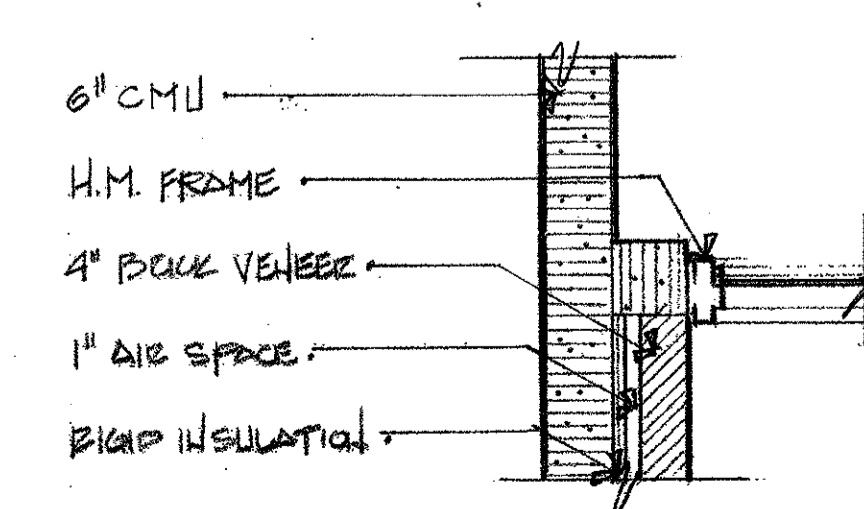
D. SCALE 3/4" = 1'-0"



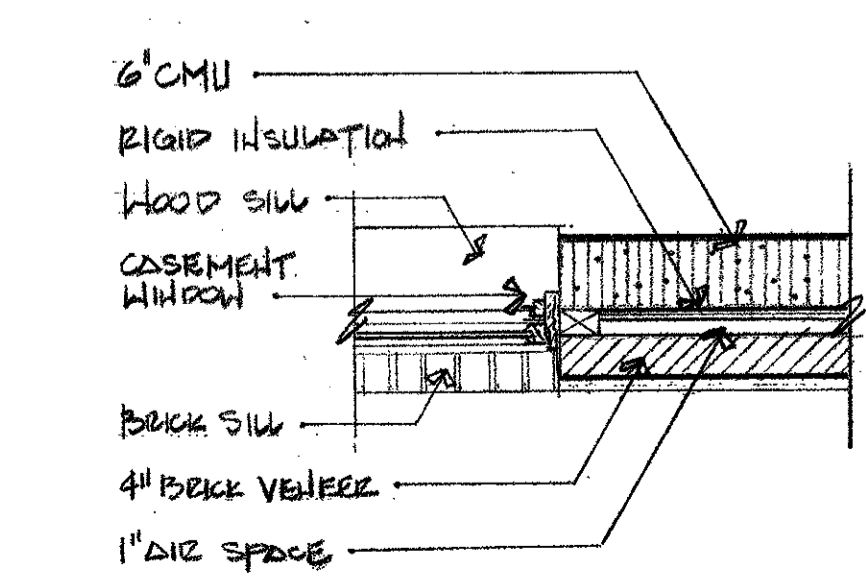
E. SCALE 3/4" = 1'-0"



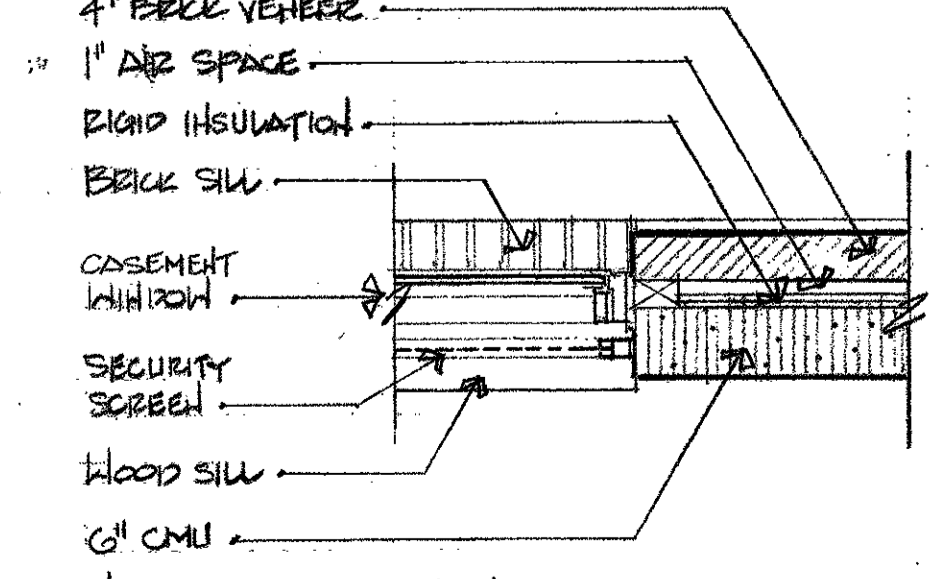
F. SCALE 3/4" = 1'-0"



G. SCALE 3/4" = 1'-0"



H. SCALE 3/4" = 1'-0"



I. SCALE 3/4" = 1'-0"

FLOOR PLANS PLAN SECTIONS

Date, 6 JULY 1992
Checked, SDS
Drawn, SDS/SDD



NOTE: CASEMENT WINDOW MUST BE OPERABLE FROM INSIDE ROOM BY EXTENDING CASEMENT CRANK THRU SECURITY SCREEN.